



USB3.1 Gen1 (A/M-C/M) High-Flex Active Optical Cable

EPIUH71

Rev. 0.1



EverPro Technologies Company Ltd.

Revision History

Rev	Date (MM/DD/YY)	Author	Description of Changes
1	3/28/2022	Lydia	Initial Release

Table of Contents

1 DESCRIPTION	4
2 FEATURE.....	4
3 SPECIFICATION	5
4 PRODUCT DRAWING	6
5 PART NUMBER	6
6 PACKAGE	7
7 APPLICATION(POSSIBLE BUT NOT LIMITED)	7

1 DESCRIPTION

This product is USB3.1 Gen1(A/M-C/M) High-Flex active optical cable (AOC), it can perfectly transmit USB 2.0, USB3.1 Gen1 with excellent signal quality. Compared with the traditional copper wire, it is softer, slimmer, lighter and with perfect EMI/EMC feature. And it also has better reliability performance than copper wire.

2 FEATURE

- 1) Support USB 2.0 (0~5m) and USB 3.0 (0~20m)
- 2) Plug and play without driver dependent
- 3) High reliability
- 4) Thinner, lighter and softer than conventional copper cable
- 5) Highly resistant to EMI and RFI
- 6) Drag chain test: 10 million cycle times

3 SPECIFICATION

Cable Length

Up to 20m

Interface

USB type-A plug – USB type-C plug

Bandwidth

Support U3:5Gbps (0~20m); Support U2: 480Mbps (0~5m);

Power Delivery

4.75~5.25V

Power Supply

900mA (0~10m) , 600mA (15~20m)

Power Consumption (TYP.)

110mA (5V input)

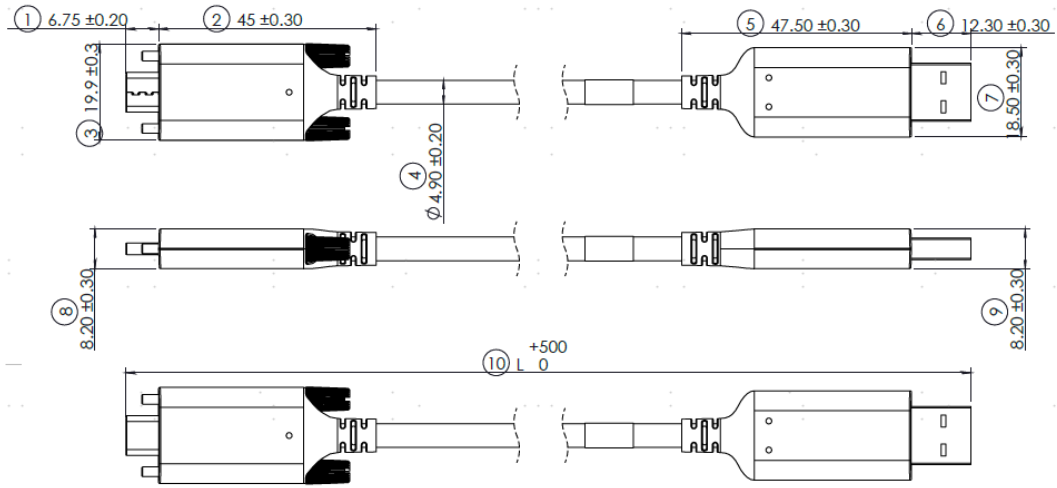
Mechanical / Condition

Cable diameter	4.9±0.2mm
Bend Radius(Dynamic/Static)	75mm/40mm
Tensile Strength (Long term/Shour term)	200N/500N
Operating / Storage Temp	-20~+70°C/-40~+85°C
Operating / Storage Humidity	0~85% / 0~85%

Material

Hybrid Cable Jacket	TPU
Housing	Plastic

4 PRODUCT DRAWING



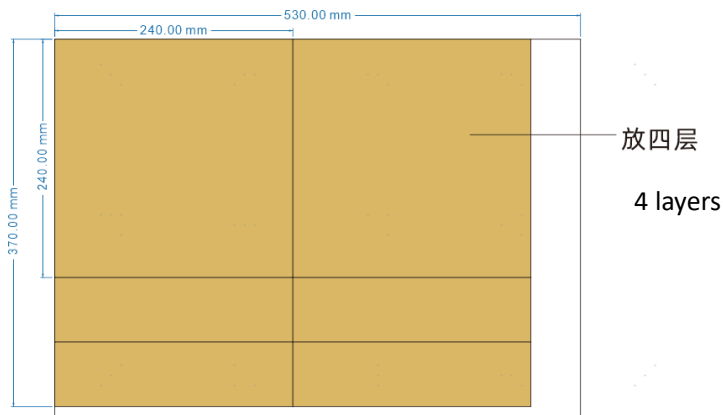
5 PART NUMBER

Part Number	Description
EPIUH71-AOC1KxxxPI	USB3.1 Gen1 A Plug to C Plug with locking screw, Plastic Injection Housing, xxx=xxxmeter, for example,020=20m

Note1: All of standard cables have Everpro LOGO. NRE is need if adding customized logo.

Note2 : Lead time will be increased if need customized length.

6 PACKAGE



	长 length	宽 width	高 height
飞机盒 box	240mm	240mm	60mm
外箱 outer box	530mm	370mm	240mm

7 Application(Possible but not limited)

- Machine Vision Camera Extension
- Security Camera Extension
- Digital Signage and TV Wall
- Smart Digital Video Surveillance System
- Zero Client Connectivity
- Remote Storage